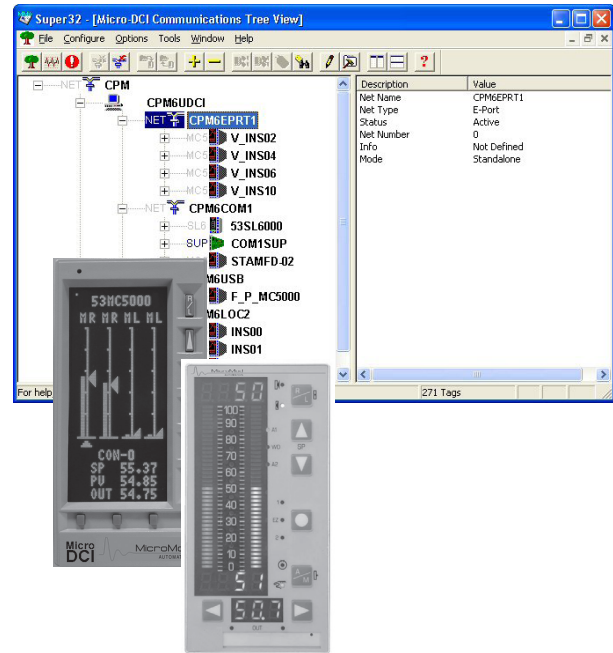


## Micro-DCI Communication Services 53SU6000 Communication Software for Micro-DCI Controllers

- **Communications Interface Software for Micro-DCI controllers**
- **Multiple network support**
- **Communication Network Wizard**
- **OPC 2.0 Compliant Server & DDE Support**
- **Automatic Tag recognition**
- **Local Supervisor card emulation, PC FTRAN support**
- **Supports previous generation MicroDCI controller products**
- **Ethernet-based Remote Communication Network support**
- **Direct access to MicroTools and LoopMaster configuration software**
- **Simultaneous configuration and client software access**



The Micro-DCI Communication Services is the foundation for communication applications involving the Micro-DCI family of controllers. The Communication Services are designed to run under Microsoft® Windows™ 2000, Windows™ XP or Windows 7 Professional 32-bit systems.

The Communication Services software is a tightly woven set of tools design to simplify the interaction of the user with the controllers.

The principle user interface is an application called Super32, a set of services which automatically scan the user-created networks for instrument types and addresses. The result is an automatically created network tree which can be collapsed or expanded as need dictates.

The Micro-DCI Communications Service combines the many elements of communication to the Micro-DCI family of controllers into one transparent user interface tool.

Micro-DCI Communication Service was designed to be user-friendly and perform most of the work based on simple instructions. A Network Wizard walks you through the Micro-DCI communication network setup.

Micro-DCI Communication Services will support up to eight individual networks of controllers, in any combination of the following:

- Serial Ports (up to 4)
- Supervisor Ports (up to 4)
- Ethernet E-Ports (up to 8)
- Local virtual networks (up to 2)

Serial port communications use the standard Micro-DCI DataLink supplied with each Micro-DCI controller. Both the DataLink and MicroLink communication protocols are supported by the Supervisor ports. The Ethernet ports support DataLink only.

Each of the eight networks can have up to thirty-two (32) devices including the current 53MC5000 or 53SL6000 controllers, or older generation Micro-DCI products from Fischer & Porter and ABB.

The EP1000 E-Port Communications gateway allows distribution RS-485 DataLink networks over multiple locations to enhance system performance or create true distributed control architectures.

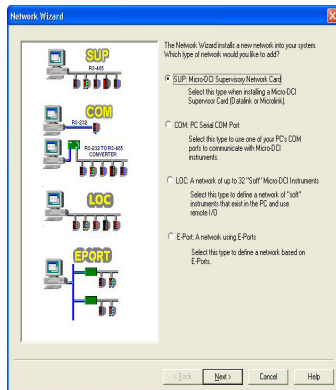
### Easy Setup with Network Wizard

The Micro-DCI Communication Services Network Wizard was designed to allow you set up multiple networks easily and quickly, so you can access your Micro-DCI controllers.

The Wizard gets you up and running with just five simple steps:

- select the network type
- name the network
- choose whether the network will participate in a Master/Backup configuration
- set the network parameters such as baud rate and parity
- verify the information you just entered is correct

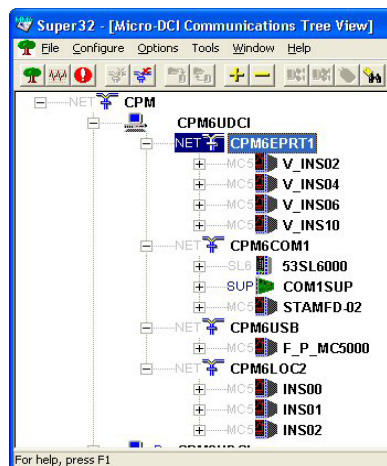
Networks can be added or removed at any time and network parameters can be changed as the need dictates.



### Automatic Tag Recognition

Once the network structure is defined, the Micro-DCI Communication Services Tag Server searches all the system networks for all the controller tags and finds all the tag references in all the controllers' databases.

Editing tools are provided to search and edit the tag names within the entire system.



### Current & Legacy Controller Support

The Micro-DCI Communications Services has been designed to provide communication access and support for all generations of the Micro-DCI product line including:

- 53MC5000 and 53MC5000B
- 53SL6000 Micro-Mite
- 53ML5100 Manual Loader
- 53IT5100 Indicator
- 53SL5100 Single-Loop Controller
- 53MC1000, 53MC2000 & 53MC4000
- 50KM1000 & 50KM2000

Features supported for these controllers include Database Uploading/Downloading, FTRAN programming support, and database configuration. For the 53MC5000A/B and the 53SL6000 controllers, more advanced configuration/programming tools are available which can be initiated directly from the Communications Services software.

By clicking on the respective instrument, applicable windows will pop up listing options and features available for a particular instrument.

### Micro-DCI DDE Server

The Micro-DCI Communications services includes a Dynamic Data Exchange (DDE) server to allow real-time data access from the Micro-DCI Instruments to third party DDE clients such as Microsoft Excel. Through the DDE server the user has access to all module tag names in the controllers via the Super32 network wizard.

### Micro-DCI OPC Server

#### OPC Server

Micro-DCI Communication Services software includes the Micro-DCI OPC Server, allowing the controllers to communicate with any third-party OPC Client software. There is no special server configuration required since it uses the Micro-DCI Communication services setup to gain access to the controllers.

- Supports all OPC 2.0 Interfaces except Public Groups and Persistent Files
- Supports OPC Alarms and Events Version 1.0
- Provides access to all Tag.items and database values in all Micro-DCI instruments connected via the Super 32 networks
- Supports unlimited access to network instruments

## E-Port Setup and Configuration

The Micro-DCI Communication Services includes the necessary tools to set up the EP1000 E-Port communications gateway configuration through a built-in web page. Each E-Port is assigned an IP address and linked to its corresponding host PC through the Super 32 communication network assignment. Networks of controllers are connected to the EPort's serial communications port via the RS-232/485 ITB. The configuration window also includes a set of simple diagnostic tools to confirm the connection and communication with controllers attached to the E-Ports serial port.

## Direct Access to Configuration Tools

The Micro-DCI Communications Services provides a basic set of configuration tools for all Micro-DCI controller products.

Features supported for all controllers include:

- Database table configuration
- Database Uploading
- Database Downloading

Additional support provided for FTRAN compatible controllers include:

- FTRAN language editor
- FTRAN language compiler
- FTRAN program Uploading
- FTRAN Program Downloading

More advanced configuration/programming tools are available for the for the 53MC5000 Process Control Stations, 53SL5100 Single Loop Controllers, 53IT5100 Indicating Totalizer, 53ML5100 Manual Loading Station and the 53SL6000 MicroMite controllers. These tools are directly accessible through the MicroDCI Communication Services.

## Simultaneous Configuration and Client Software Access

A valuable feature of the MicroDCI Communications Services is its ability to provide configuration access to the controllers while simultaneously maintaining client application software access. No special hardware or setup is required. This is a seamless operation on the part of the Communication Services and there is no need to halt client operations to perform configuration operations on any network connected controller.

## System Requirements

The minimum requirements for running the 53SU6000 software are:

- Operating System: MS Windows™ XP Professional 32-bit, Windows™ Vista Business 32-bit, MS Windows™ 7 or 8, 32-bit or 64-bit
- Intel-based, Windows 2000/XP-compatible personal computer with a Pentium processor of 1 GHz Pentium or higher
- 256 MB RAM
- 200 MB free disk space
- CD ROM drive (software provided on CD)
- IBM AT Compatible 101 key keyboard
- Cursor pointing device such as a mouse or trackball
- Video board and monitor which will support VGA 1024 x 768 display (256-color display minimum)
- One RS232 serial COM port or USB port available
- One Parallel port for printing and hardware key installation

**ORDERING INFORMATION**

Micro-DCI Communication Services is a licensed package. The following end-user information must be supplied with each order:

- End-user company name & complete address
- Telephone and fax number
- Contact name

All orders for software Add-On to a system that already has a Hardware Security Device ("copy protection key" ) MUST include existing Hardware Key ID Number. NEW SOFTWARE LICENSE KEYS WILL BE ISSUED FOR THE EXISTING HARDWARE KEY ID NUMBER.

Model Code	53SU60					
	01 - 06	07	08	A	09	10
						0
						11
<b>Micro-DCI Communications Services</b>	53SU60					
<b>Client Interface</b>						
DDE & OPC		1				
DDE & OPC Add-On - for systems with existing copy protection key		3				
<b>Security Key Type</b>						
None (for adding to systems with existing copy protection key)			X			
Parallel Port			0			
USB Port			1			
<b>Design Level</b>				A		
<b>Reserved</b>					X	
<b>Media Type</b>						
CD-ROM						0

Micro-DCI Communication Services is controlled by a software license manager and matching Hardware Security Device ("copy protection key") that plugs into either a USB or parallel port on the PC. A device such as a parallel printer may be connected to the parallel port key.

Only one Hardware Security device is required when using any MicroMod software product on the same host computer.

Communication between a PC running the 53SU6000 Micro-DCI Communications Services software and the Micro-DCI Instruments (53MC5000, 53SL5100, 53IT5100, 53ML5100, 53SL6000) may be done either via RS-232 to the configuration port connection, through the controller's RS-485 DataLink communication port or, in the case of the 53MC5000 controllers, through a MicroLink communication port. Applications using MicroLink directly to the PC requires the user of Supervisor communications card. Additional communication hardware and cables may be ordered separately (refer to Price Sheet P-DCI-Spares).

**The Company's policy is one of continuous product improvement and the right is reserved to modify the information contained herein without notice.**

**Printed in USA July 2013**

© MicroMod Automation, Inc. 2004



[www.micromod.com](http://www.micromod.com)

**MicroMod Automation & Controls, Inc.**  
 3 Townline Circle  
 Rochester, NY 14623-2537 USA  
 Tel: (585) 321-9200  
 Toll Free: 1-800-480-1975  
 Fax: (585) 321-9291  
 Email: [sales@micromod.com](mailto:sales@micromod.com)