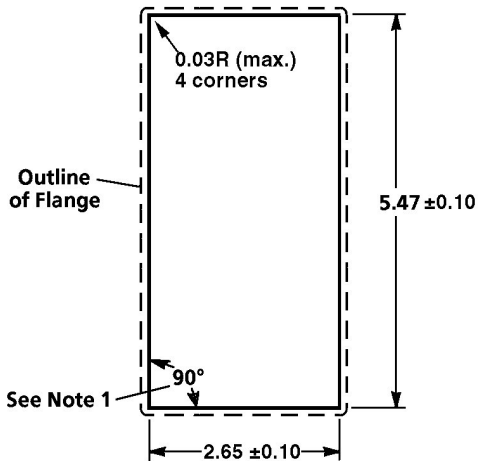


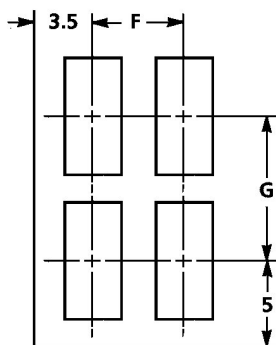
Drawing applies only to following Cat. Nos.:

2050R * * * * * A
 2051R * * * * * A

* can be any digits.

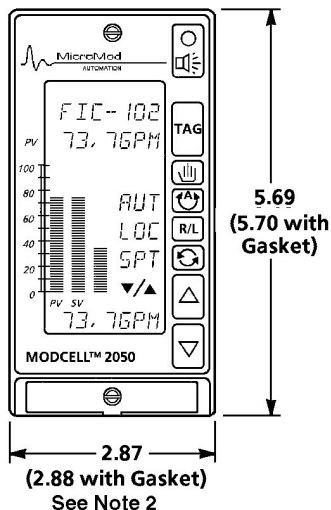


PANEL CUTOUT

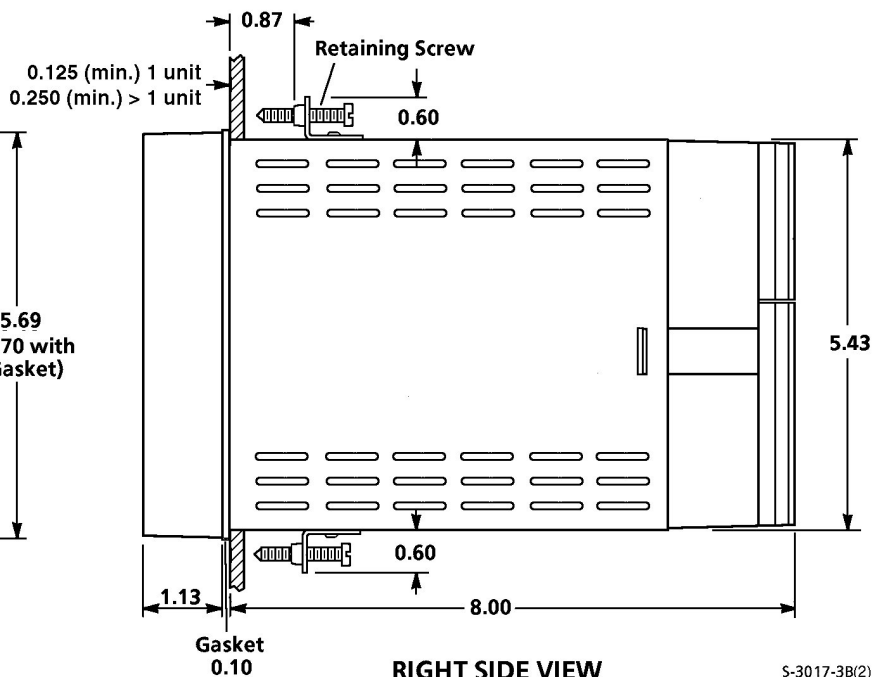


Center-to-Center Distance	F	G
Recommended	4	8
Minimum	3.5	6.5

Inches	mm	Inches	mm
0.10	2.5	5.00	127.0
0.60	15.2	5.43	137.9
0.87	22.1	5.47	138.9
1.13	28.7	5.69	144.5
2.65	67.3	5.70	144.8
2.87	72.9	6.50	165.1
2.88	73.2	8.00	203.2
3.50	88.9		
4.00	101.6		



FRONT VIEW



RIGHT SIDE VIEW

S-3017-3B(2)

- Note:** 1. When mounting housing in panel cutout or rack and panel mounted bezel, turn retaining screws until point of screw touches rear of panel or bezel. Overtightening of retaining screws will distort housing. Housing must be square after retaining screws are tightened.
 2. MODCELL 2051R does not use the gasket and has a bezel width of 2.735" (69.47mm). The panel cutout may be the same as for the 2050R.

Instrument Power (6th Character):

- A = 20 to 50 Vdc
 Z = 85 to 250 Vac

All dimensions in inches.
 Not for construction unless certified.

MicroMod Automation		
MOUNTING DIMENSIONS		
MODCELL 2050R or 2051R Single Loop Controller		
MD-R-2050-1	Issue 4	Sheet 1 of 1

Cat. No. _____
 Cust. No. _____ MicroMod Automation No. _____
 Also Refer to Dwgs. _____
 Certified by _____ Date _____